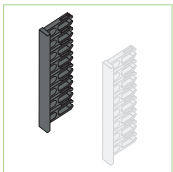
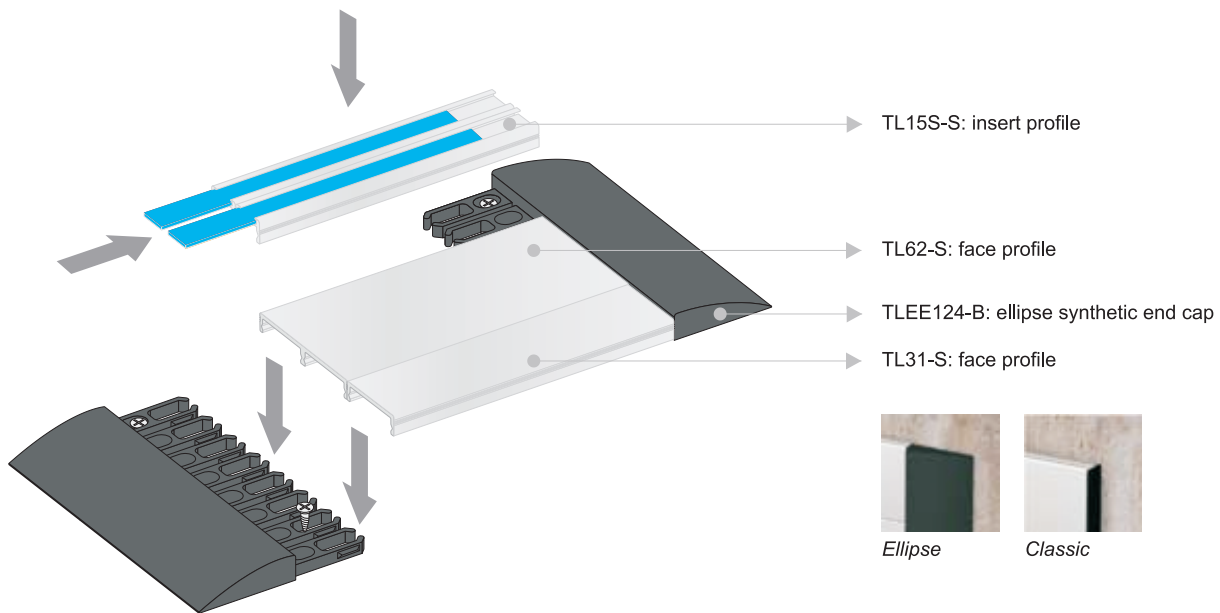




CLEARPATH[®]
SIGNAGE SYSTEMS

Alliance[™]

synthetic end caps



End Caps
Standard Colors
- Black
- Grey

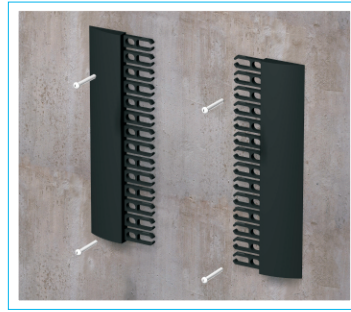
- 1 Screws and drywall anchors
- 2 Double Sided VHB tape

Mounting
Hardware not included.
Note: Tape is not recommended for exterior applications.

assembly instructions



Alliance® Wall Frame with Ellipse End Caps



1. Attach the end caps to the wall with screws or tape.



2. Snap the profiles (face or insert) into the clips in the side tracks.
Note: Insert the sign material before snapping profiles into place.

Face Profiles			
Item Code	Profile Height	Profile Thickness	
TL31-S	1.22" 31 mm	0.06"	1.5 mm
TL46-S	1.83" 46.5 mm	0.06"	1.5 mm
TL62-S	2.44" 62 mm	0.06"	1.5 mm
TL93-S	3.66" 93 mm	0.06"	1.5 mm
TL124-S	4.88" 124 mm	0.08"	2.03 mm
TL155-S	6.10" 155 mm	0.08"	2.03 mm
TL186-S	7.32" 186 mm	0.10"	2.54 mm
TL217-S	8.54" 217 mm	0.12"	3.05 mm
TL248-S	9.76" 248 mm	0.12"	3.05 mm

Insert Profiles			
Item Code	Profile Height	Material Height	
TL15S-S	0.61" 15.5 mm	0.43"	11 mm
TL31S-S	1.22" 31 mm	1.04"	26.5 mm
TL46S-S	1.83" 46.5 mm	1.65"	42 mm
TL62S-S	2.44" 62 mm	2.24"	56.5 mm
TL93S-S	3.66" 93 mm	3.48"	88.5 mm
TL124S-S	4.88" 124 mm	4.70"	119.5 mm
TL155S-S	6.10" 155 mm	5.93"	150.5 mm
TL186S-S	7.32" 186 mm	7.15"	181.5 mm
TL217S-S	8.54" 217 mm	8.37"	212.5 mm

The insert profiles accept any flexible material (engravable plastic, acrylic, digitally printed materials, clear lens, etc.) with a thickness up to 1/16" (1.75 mm).