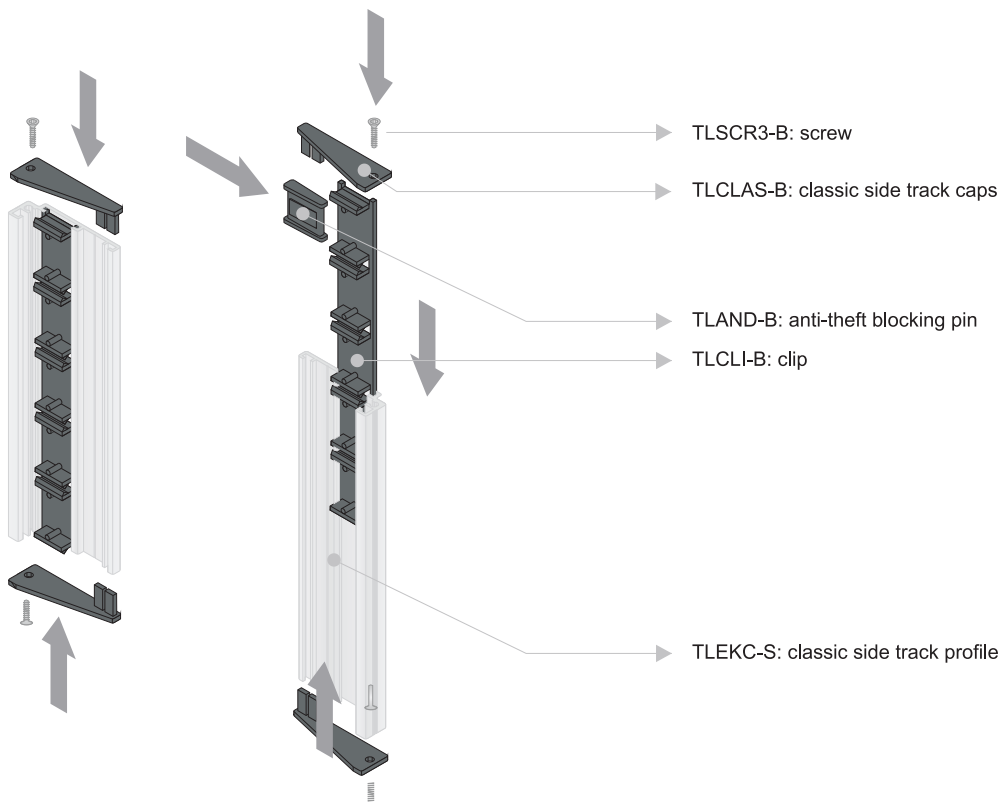




**CLEARPATH**<sup>®</sup>  
SIGNAGE SYSTEMS

# DeSign<sup>™</sup>

classic side tracks capped



### End Caps:

- Black
- Grey

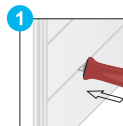


### Mounting Options:

- 1 Screws and drywall anchors
- 2 Double Sided VHB tape
- 3 Glue

*Note: Glue and tape are not recommended for exterior applications. Hardware not included.*

### Profile Removal Instructions:



Slide the frame key horizontally between the profiles at a minimum distance of two inches (50 mm) from the side tracks.



Pull the key backwards. The profile is now released from the clips and can be removed from the sign.

assembly & installation instructions



DeSign®  
Classic Side Tracks Capped

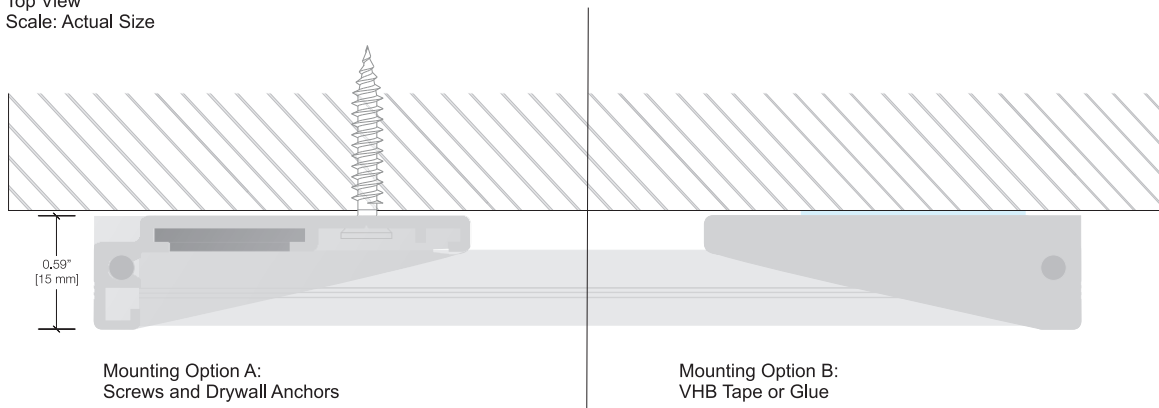


Snap the profiles (face or insert) into the clips in the side tracks.



Note: Insert the sign material before snapping profiles into place.

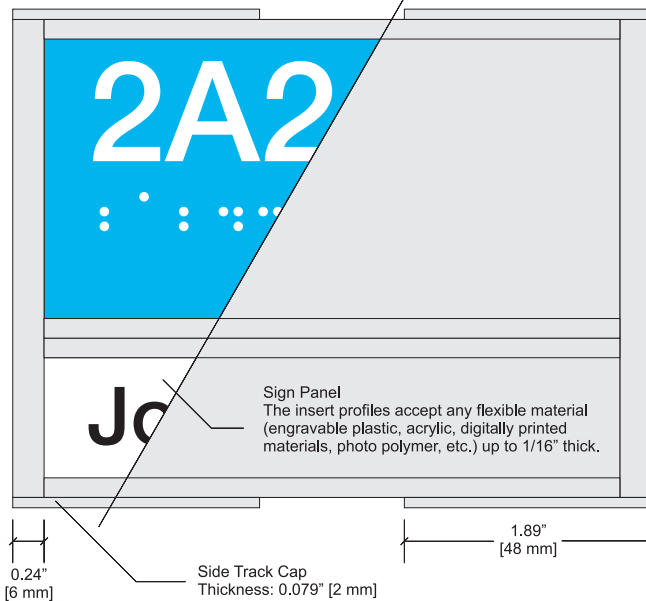
Top View  
Scale: Actual Size



Mounting Option A:  
Screws and Drywall Anchors

Mounting Option B:  
VHB Tape or Glue

Detailed Front View  
Scale: Actual Size



Insert Profiles				
Item Code	Profile Height		Material Height	
TL15S-S	0.61"	15.5 mm	0.43"	11 mm
TL31S-S	1.22"	31 mm	1.04"	26.5 mm
TL46S-S	1.83"	46.5 mm	1.65"	42 mm
TL62S-S	2.44"	62 mm	2.24"	56.5 mm
TL93S-S	3.66"	93 mm	3.48"	88.5 mm
TL124S-S	4.88"	124 mm	4.70"	119.5 mm
TL155S-S	6.10"	155 mm	5.93"	150.5 mm
TL186S-S	7.32"	186 mm	7.15"	181.5 mm
TL217S-S	8.54"	217 mm	8.37"	212.5 mm

Sign Panel  
The insert profiles accept any flexible material (engravable plastic, acrylic, digitally printed materials, photo polymer, etc.) up to 1/16" thick.

Side Track Cap  
Thickness: 0.079" [2 mm]