



CLEARPATH

SIGNAGE SYSTEMS®

Clamper™

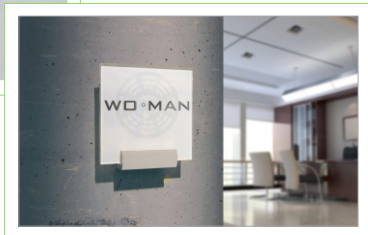
FISSO®

The Clamper™ is a sleek, contemporary alternative to stand-offs and systems that normally require drilling holes in your signs.

Easy to mount, these holders permit a wide range of material thicknesses to be confidently secured. Mount singularly or in pairs.

Features:

- » Material: anodized aluminum
- » Tamper resistant feature: locking set screw
- » Indoor and outdoor weatherable
- » Installation method: drywall screws & anchors
- » Recommended load per piece: test each installation application individually
- » No holes required in signage substrate
- » Substrate thickness: 0.12-0.39" / 3-10 mm
- » Clamper supports are available for upright mounting (pictured below - FCL02AL 2/pk)
- » Sold individually
- » Assembly kit included



Length	Item Code
2.36" [60.0 mm]	FCL60
3.94" [100.0 mm]	FCL100
7.87" [200.0 mm]	FCL200
11.91" [300.0 mm]	FCL300
15.74" [400.0 mm]	FCL400
23.62" [600.0 mm]	FCL600
35.40" [900.0 mm]	FCL900

finish:

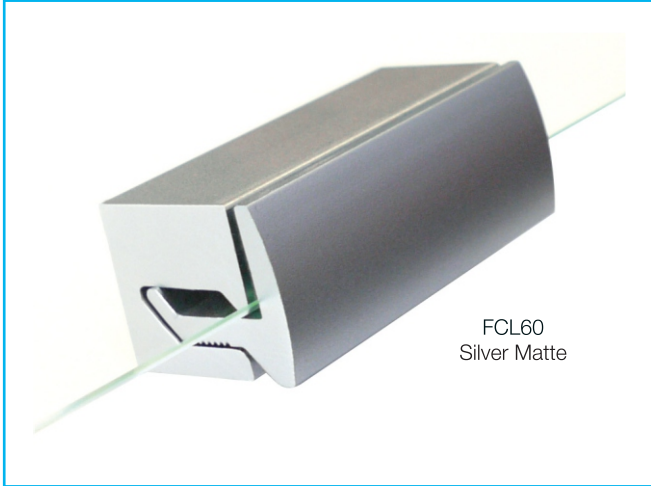


silver
matte

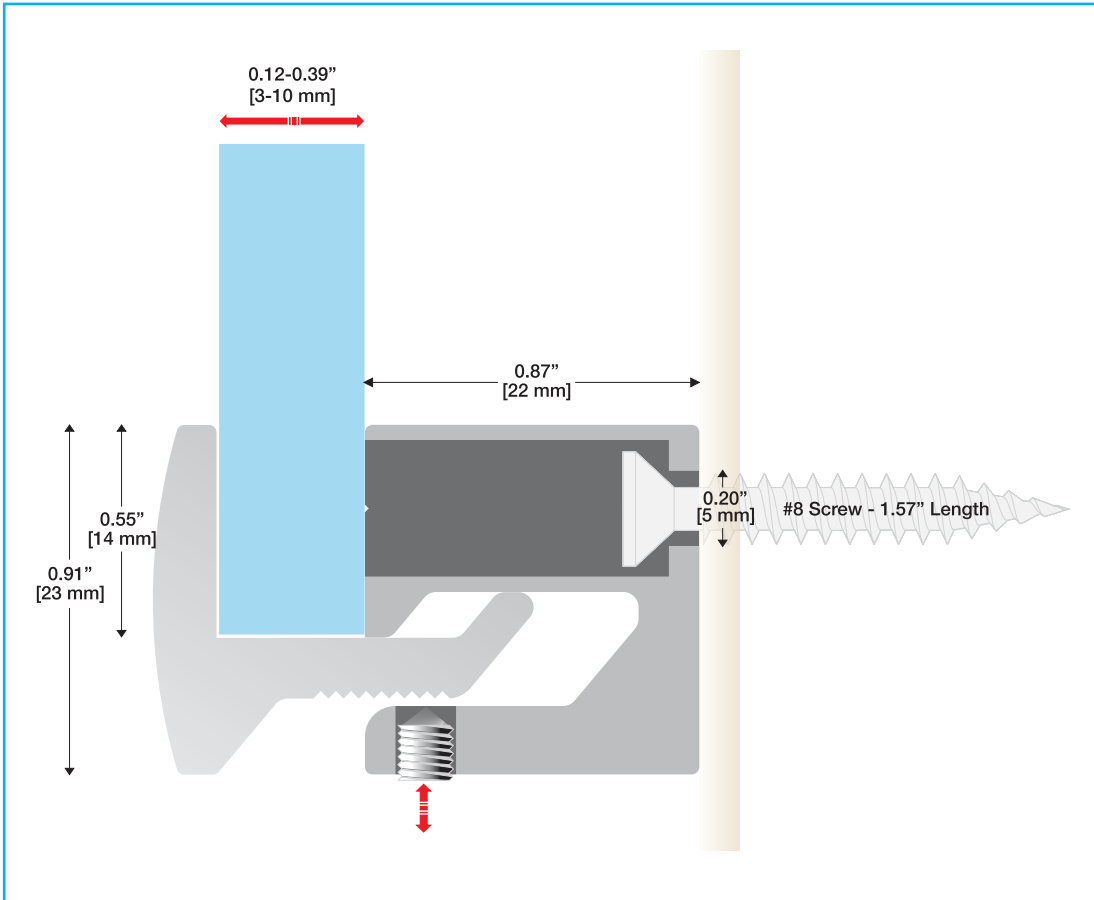
mounting fixtures



Actual Size

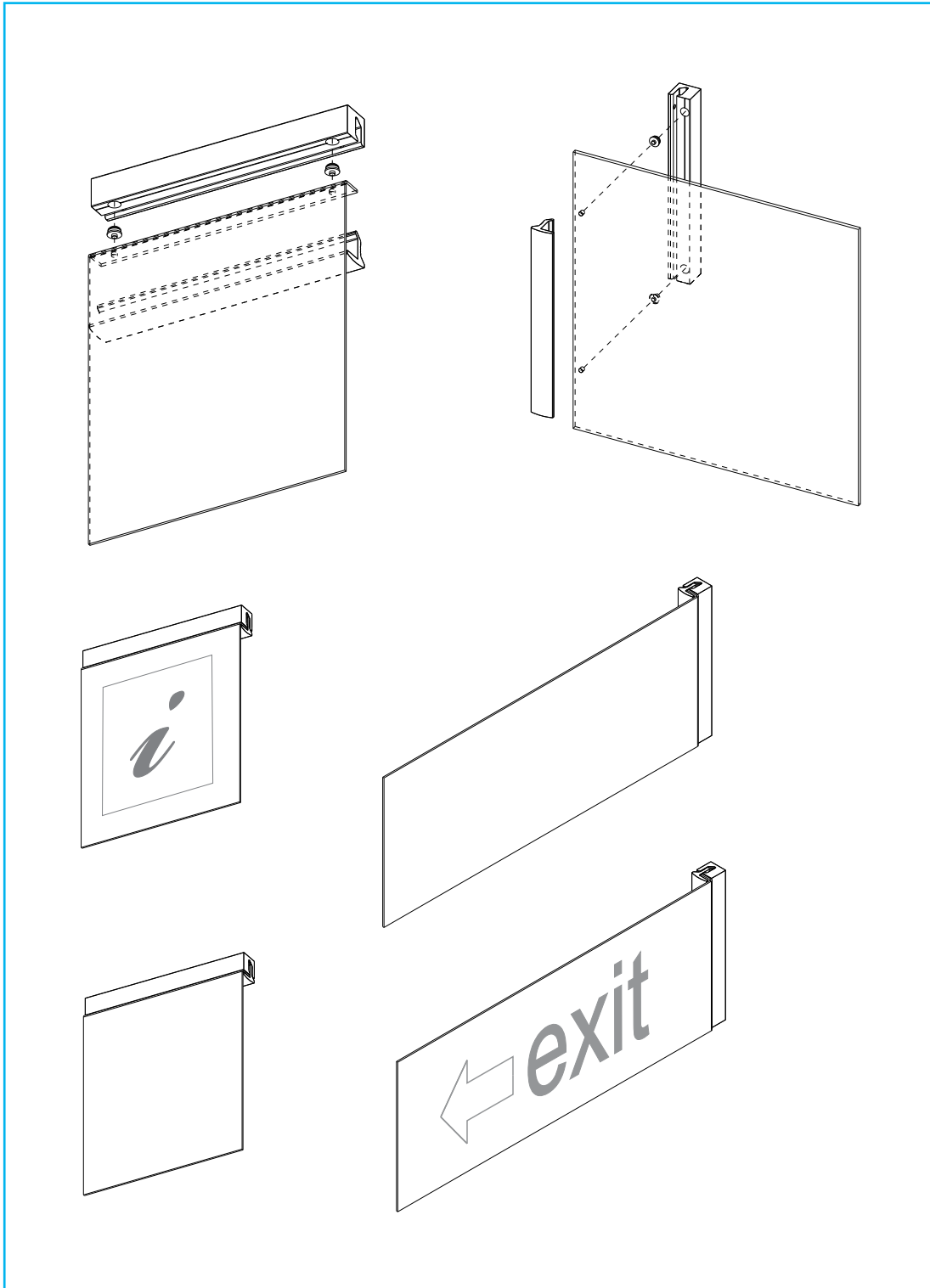


Scale: 2x



mounting fixtures

Mounting Options & Diagrams



mounting fixtures