



CLEARPATH[®]

SIGNAGE SYSTEMS

Fixxo[™]

FISSO

Fixxo is a contemporary synthetic stand-off. Small elastic plates keep the panel strongly affixed, and the retractable stainless steel spring prevents tampering.

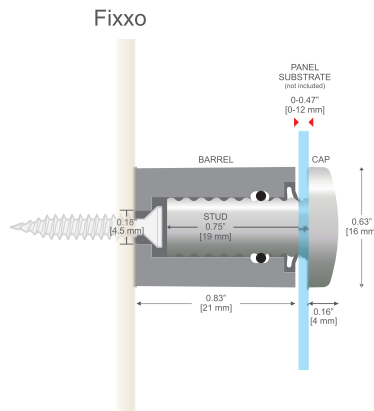
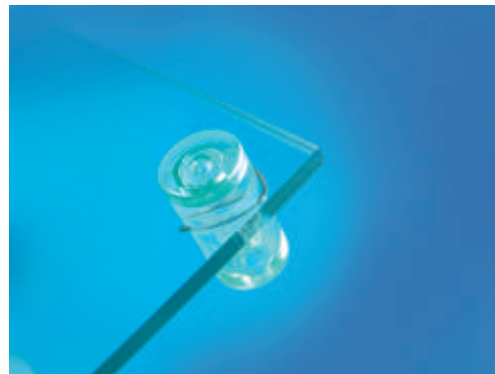
Great for high-humidity applications.

Features:

- » Materials: polycarbonate.
- » Application: indoor weatherable.
- » Anti-vandalism feature: retractable stainless steel spring.
- » Installation method: drywall anchor.
- » Recommended load per piece: 11 lbs. / 5 kg.
- » Material thickness: 0-0.47" / 0-12 mm.
- » Assembly kit included.

Finish	Item Code	Diameter	Length	Pack Count
Glass Green	FIXXO1621GG	0.63" 16 mm	0.83" 21 mm	4

finish:



stand-offs