



# CLEARPATH

SIGNAGE SYSTEMS®

## Ghost™

FISSO®

Ghost™ is a hidden support system fastened or adhered to the back of panels, signs and dimensional letters. Ghost achieves a clean look without drilling permanent holes through signage material.

### Features:

- » Materials: brass nickel plated barrel, polycarbonate plate & snapping fastener
- » Tamper resistant feature: locking set screw & snapping fastener
- » Indoor & outdoor weatherable
- » Installation methods: VHB tape, liquid glue, screws or silicone (only use VHB tape and glue for indoor applications)
- » Recommended load per piece: test each installation application individually
- » No holes required in signage substrate
- » Sold in packs of four
- » Assembly kit included
- » Replacement Ghost Heads (synthetic piece) are available 4/pk - FGK4618K



Diameter	Width / Barrel Length	Item Code
0.63" [16.0 mm]	1.77" / 0.71" [45.0 mm] / [18.0 mm]	FG4618K



finish:



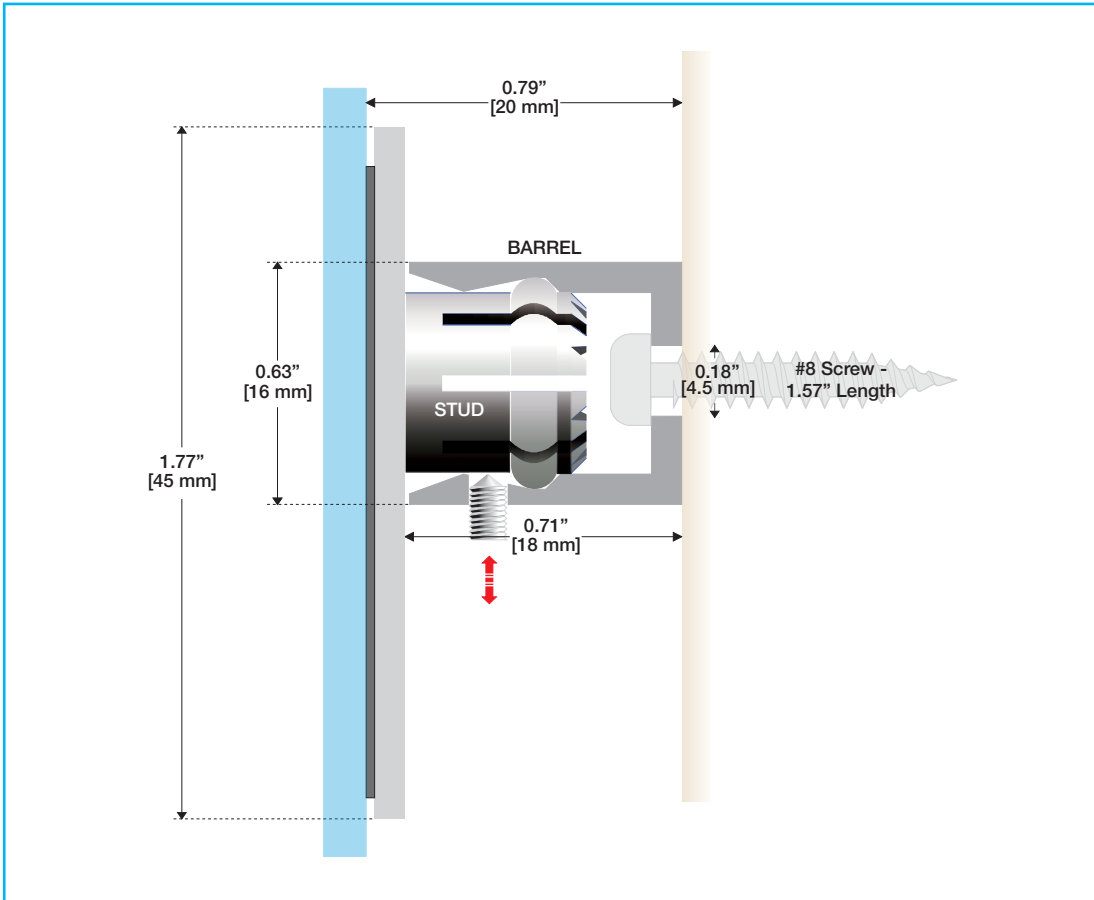
mounting fixtures



Actual Size



Scale: 2x



mounting fixtures