



# CLEARPATH

SIGNAGE SYSTEMS.

Pin™  
FLY®

*The Pin™ side mounted panel support grip system works seamlessly with the Fly® family of products.*

Features:

- » Material: high quality electroplated brass
- » Tamper resistant feature: locking set screw
- » Indoor weatherable
- » Installation method: slide substrate into place; secure substrate & cable with set screws
- » Recommended load per piece: 11 lbs / 5 kg
- » No holes required in panel substrate
- » Substrate thickness: 0-0.12" / 0-3 mm
- » Cable thickness: maximum 0.06" / 1.5 mm
- » Recommended cable: AFILIX25 (0.05" / 1.2 mm)
- » Sold in packs of four
- » Assembly kit included



Item Code

YPN1015AR

finish:



satin silver

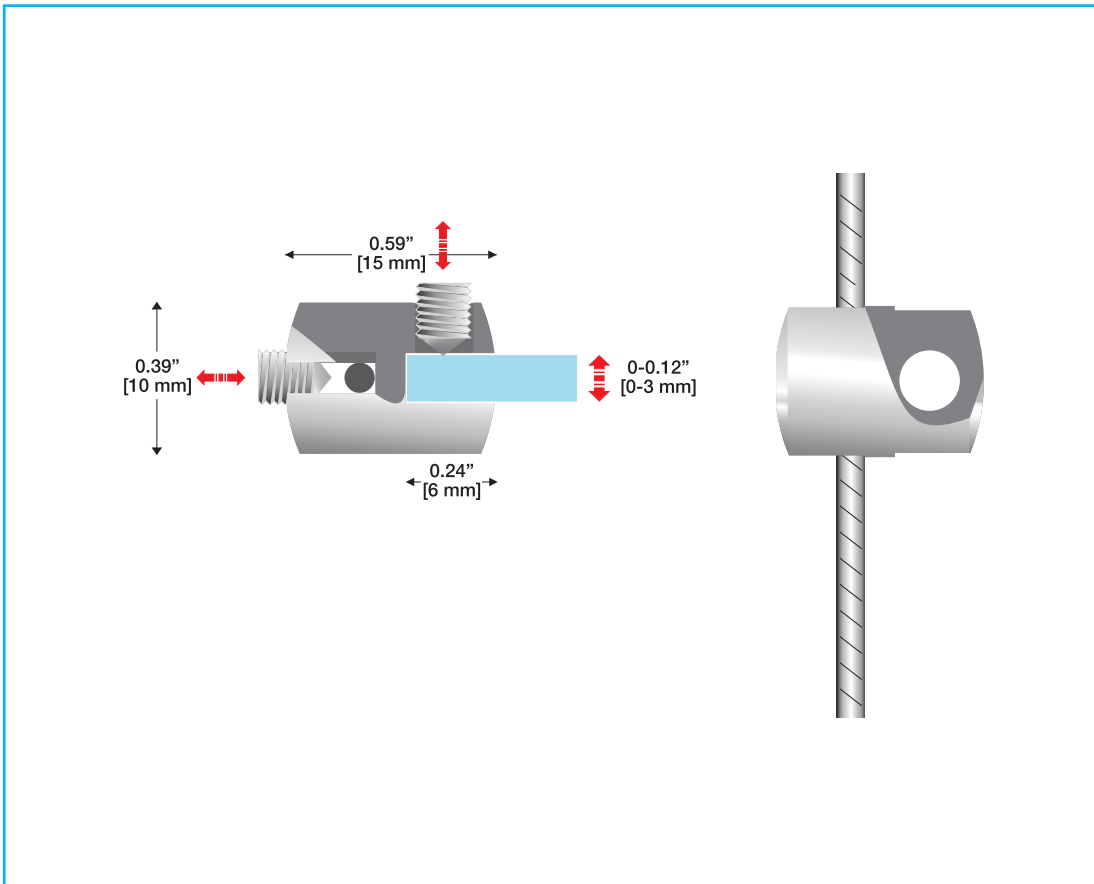
suspended cable systems



Actual Size



Scale: 2x



suspended cable systems