



CLEARPATH

SIGNAGE SYSTEMS®

Punto™

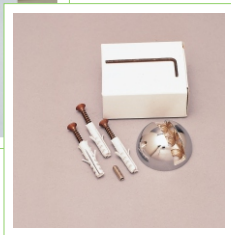
FISSO®

Punto™ is a unique way to display your projecting signage like flags and ceiling mounted signs; or use Punto as a display shelf by mounting it horizontally against the wall.

Because of its mounting versatility Punto is great for both the commercial and residential end-user.

Features:

- » Material: high quality electroplated brass
- » Tamper resistant feature: locking set screw
- » Indoor and outdoor weatherable
- » Installation method: drywall screws & anchors
- » Recommended load per piece: 11 lbs / 5 kg
- » No holes required in signage substrate
- » Substrate thickness: 0-0.39" / 0-10 mm
- » Sold individually
- » Assembly kit included



Diameter	Item Code
1.50" [40.0 mm]	FPT4020AR (satin silver)
1.50" [40.0 mm]	FPT4020CM (chrome)

finishes:



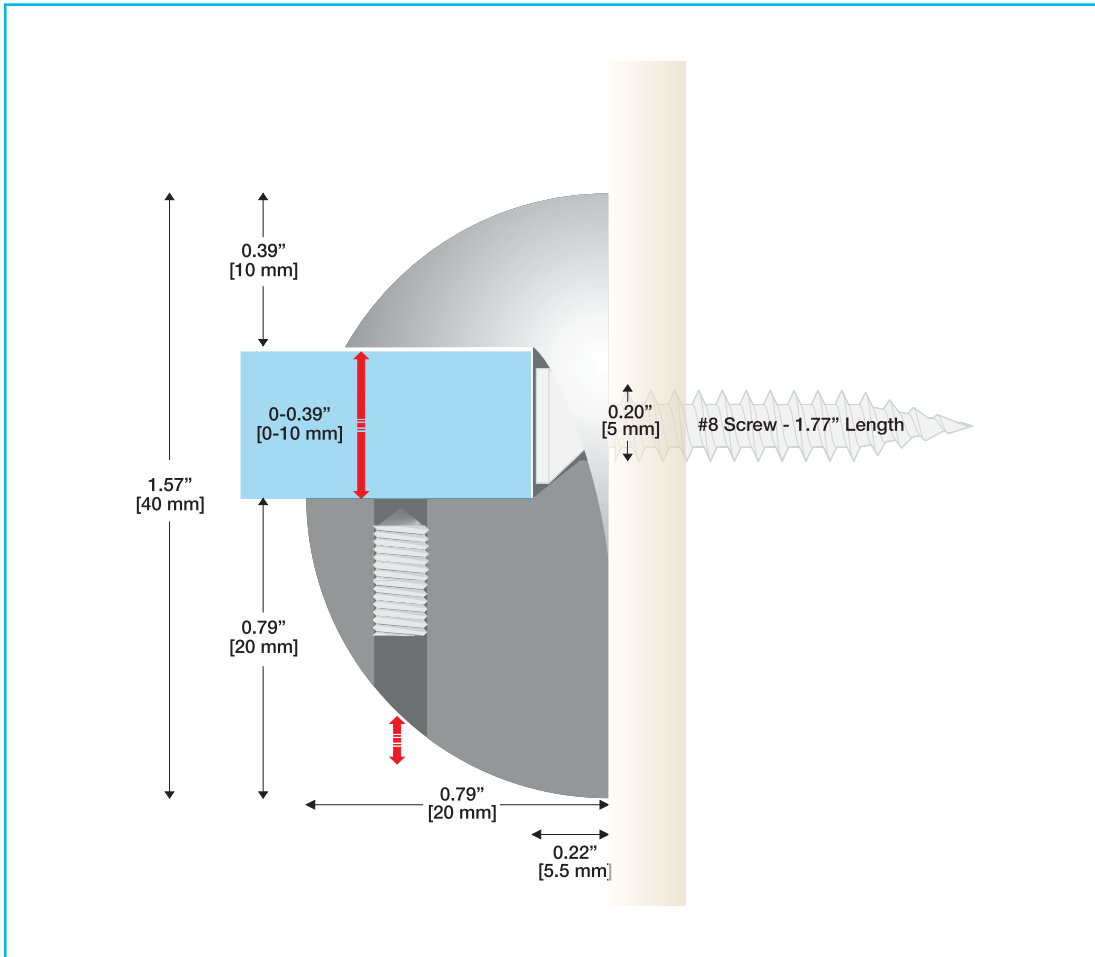
mounting fixtures



Actual Size



Scale: 2x



mounting fixtures