



CLEARPATH

SIGNAGE SYSTEMS.

Univers™

FISSO®

Univers™ offers top mounted suspended signage support. The smooth satin silver finish complements the lines and finish of the Plusmini™ ceiling mount.

Features:

- » Material: high quality electroplated brass
- » Tamper resistant feature: locking set screws
- » Indoor weatherable
- » Installation method: TBD by installer
- » Recommended load per piece: 11 lbs / 5 kg
- » 0.20" holes required in signage substrate
- » Substrate thickness: 0-0.31" / 0-8 mm
- » Cable thickness: maximum 0.11" / 2.8 mm
- » Recommended cable: AFIL25 (0.07" / 1.7 mm)
- » Sold in packs of two
- » Assembly kit included



Diameter	Length	Item Code
0.59" [15.0 mm]	1.93" [49.0 mm]	FU1549AR

finish:



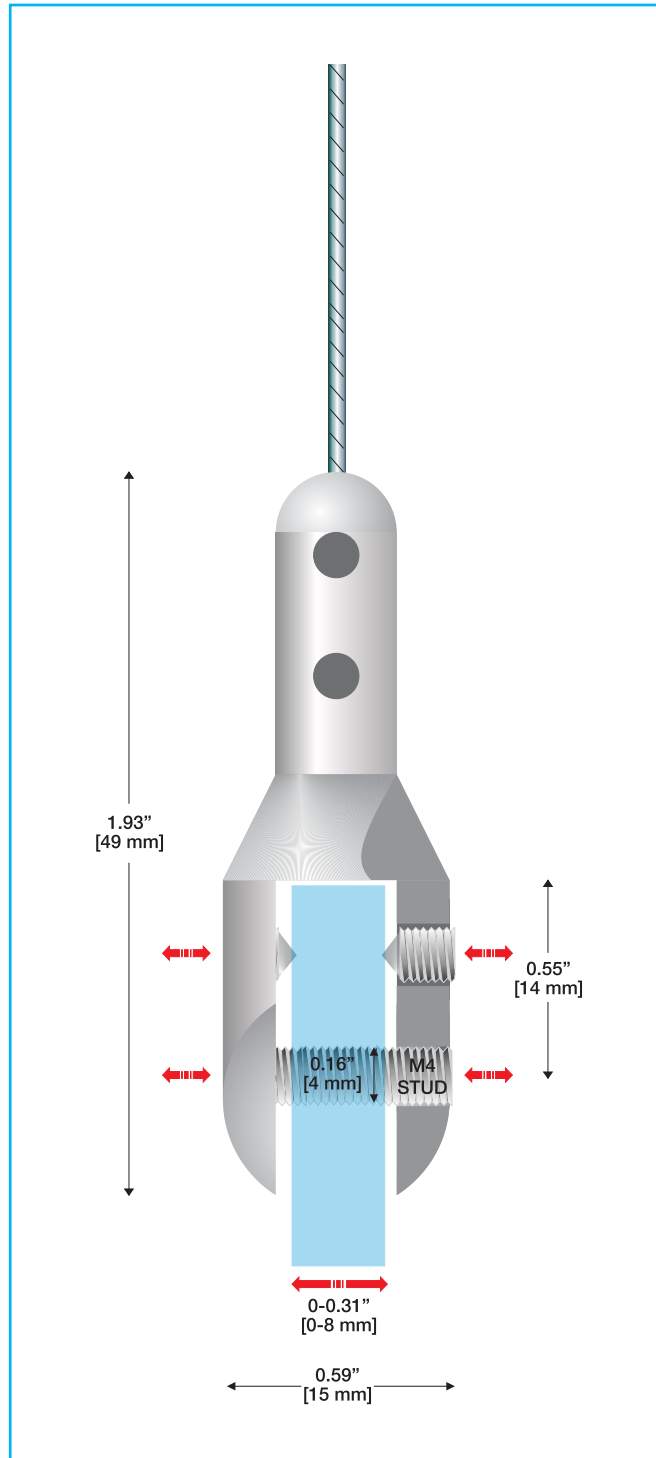
suspended cable systems



Actual Size



Scale: 2x



suspended cable systems