



**CLEARPATH**  
SIGNAGE SYSTEMS®

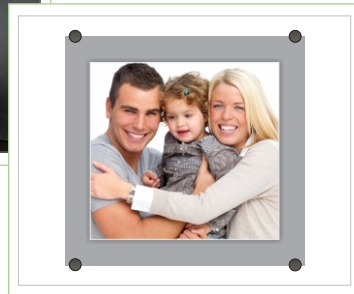
## dimensional™ design edge gripper

*Dimensional™ edge gripper mounts offer a sleek and clean mounting system for small and large jobs. You can easily attach the base and then rotate the decorative face cap up to 360° to mount vertically, horizontally or in any configuration that is required.*

**Features:**

- » Material: anodized aluminum
- » Tamper resistant feature: locking set screw
- » Indoor and outdoor weatherable
- » Installation method: drywall screws & anchors
- » No holes required in signage substrate
- » Substrate thickness: 0-7/16" [0-11 mm]
- » Sold in packs of four
- » Assembly kit included

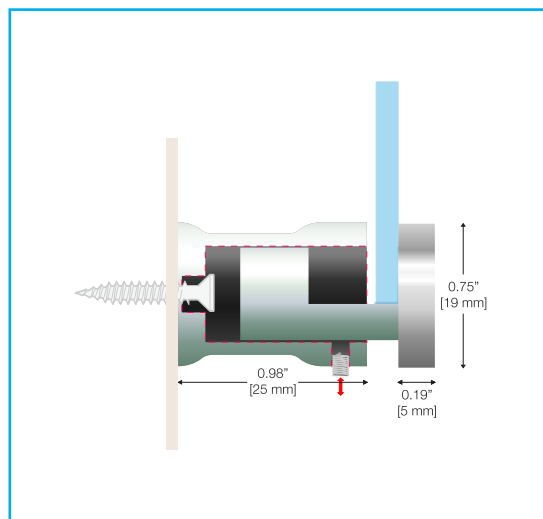
Dimensional™ design edge gripper				
*XX* represents the code for selecting the finish				
	Black (02)	Matte Silver (03)	Gold (08)	Chrome (09)
D = Diameter BL = Barrel Length	Solid anodized aluminum, black finish	Solid anodized aluminum, matte silver finish	Solid anodized aluminum, gold finish	Solid anodized aluminum, chrome finish
<b>DEGM1XX</b> 				
	D: 0.75" BL: 0.98" D: 20mm BL: 25mm	DEGM102	DEGM103	DEGM108 DEGM109



mounting fixtures

Dimensional edge gripper mounts technical drawings with dimensions.

*Technical diagrams below are not to scale.*



Note: This stand-off will hold material from 0-7/16" [0-11 mm]  
M10 Stud: 0.39" D / 0.79" Length