



CLEARPATH
SIGNAGE SYSTEMS®

dimensional™ design edge grippers

Dimensional edge gripper mounts offer a sleek and clean mounting system for small and large jobs.

These easy to install grippers flush mount to the wall and are low profile at only one inch (25,4 mm). You can easily attach the base and then rotate the decorative face cap up to 360° to mount vertically, horizontally or in any configuration that is required.

An economical approach great for any size flat panel display, sign or point-of-purchase project.

- » Decorative lightweight aluminum design
- » Holds panels up to 7/16" (11,14mm) thick
- » Single set screw to create a tamper resistant secure mounting

Packaged with drywall anchors, screws and torque-lock wrench.

| Diameter | Cap Height / Barrel Length | Part Number |
|---|--|---|
| 0.75" (20mm)  | 0.19" (5 mm) / 0.98" (25 mm)  | DEGM1XX Black (02), Matte Silver (03), Gold (08), Chrome (09) & |

Dimensional edge gripper mount finishes:

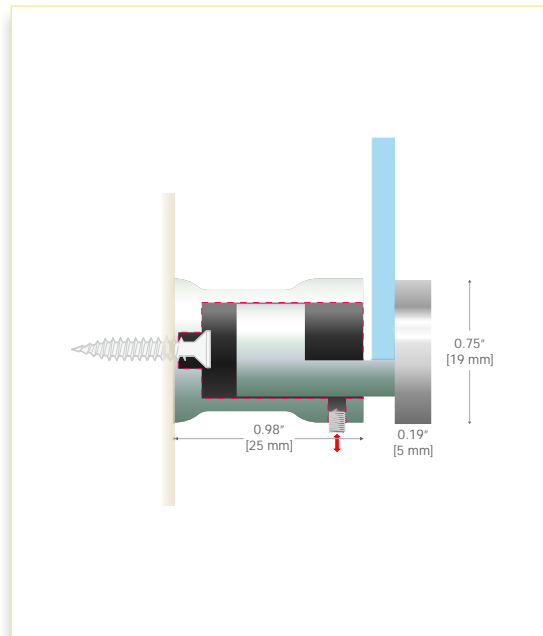
| | | | |
|--|---|---|---|
|  Black (02) Solid aluminum, black finish |  Matte Silver (03) Solid aluminum, silver finish |  Gold (08) Solid aluminum, brass finish |  Chrome (09) Solid aluminum chrome finish |
|--|---|---|---|



mounting fixtures

Dimensional edge gripper mounts technical drawings with dimensions.

Technical diagrams below are not to scale.



Note: This stand-off will hold material from 0-7/16" [0-11 mm].

mounting fixtures